

s.110

3/8"-4"

hot forged brass gate valves



Quality:

- Suitable for domestic and agricultural installations

Body:

- Hot forged sand blasted brass body
- Low pressure drop

Stem:

- High performance EPDM stem seal

PED Directives:

- The product described in this document meets the requirements of PED Directive 97/23 and according to art.3 par.3, it does not require CE marking; it cannot be used with dangerous gases in sizes larger than 25mm; it cannot be used with non-dangerous gases in sizes larger than 40mm

Threads:

- ISO 228 parallel female by female threads

Handle:

- Red coated steel hand-wheel
- Zinc plated steel top nut

Working Pressure:

- 10 Bar
- non-shock cold working pressure

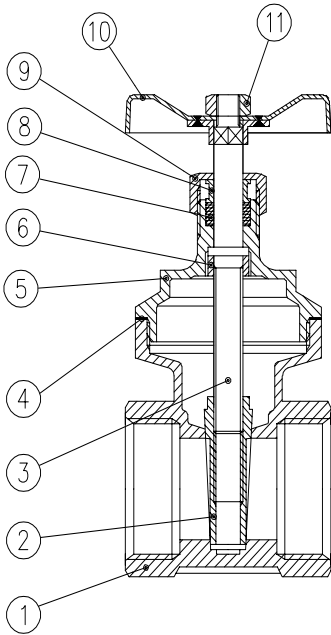
Working Temperature:

- -10°C / +80°C
- Warning: freezing of the fluid in the installation may severely damage the valve

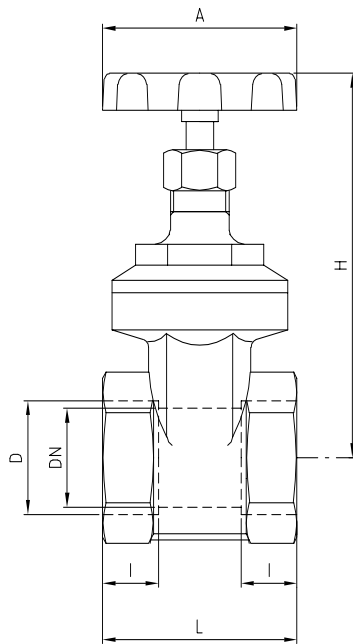
Approved by or in compliance with:

- GOST-R (Russia)
- Hygiene and epidemic center in Moscow city (Russia)
- EAC - Declaration of conformity (Russia-Kazakhstan-Belarus)

NOTE: Approvals apply to specific configurations/sizes only.



Part Description	Q.ty	Material
1 Body	1	CW617N
2 Gate	1	CB 754S
3 Stem	1	CW614N
4 Body cap sealing	1	Guarnital Fibre
5 Cap	1	CW617N
6 Stem ring	1	CW614N
7 Packing gland seal	1	EPDM90
8 Packing gland	1	CW614N
9 Packing gland nut	1	CW614N
10 Red round handle	1	Steel
11 Handle nut	1	Steel



Code	110C00	110D00	110E00	110F00	110G00	110H00	110I00	110L00	110M00	110N00
D (inch)	3/8	1/2	3/4	1	1 1/4	1 1/2	2	2 1/2	3	4
DN (mm)	13	13.5	15.5	19	27	33	44	47	60	72
I (mm)	8	9	9	10	10	11	12	13	13	15
L (mm)	33	35	39	43	48	54	58	63	70	80
A (mm)	45	45	45	50	55	60	70	80	100	100
H (mm)	67	68	68	80	86	107	134	143	175	202

Ask for additional information on the whole range of **RuB** valves and consult with your supplier for special applications.

The company reserves all rights for the information contained herein. Products may be changed at any time without notice. Any undated reference to a code or standard shall be interpreted as referring to the latest edition. **RuB** and logo are registered trademarks of **RuB**-Rubinetteria utensilerie Bonomi. Other logos and registered trademarks are property of respective owners.