

s.96 extended stem for insulation full port 1/4"-2" hot forged ball valves



Features and Specifications:

- Hot forged sand blasted nickel plated brass body and cap sealed with Loctite or equivalent thread sealant
- Extended stem forged in one piece with body allows perfect sealing and easy operation when valve is insulated
- Approved by Danish Board of European Technical Approval for Construction Products VA Approval (DK), GOST-R (RU), Hygenic (RU), ROSTEKHNADZOR (RU), UkrSepro (U)
- Finest brass according to EN 12165 and EN 12164 (formerly DIN 17660 and UNI 5705-65) specifications
- Full port to DIN 3357 for maximum flow
- 24h 100% seal test guaranteed
- Pure PTFE self-lubricating seats with flexible-lip design
- Dual sealing system allows valve to be operated in either direction making installation easier
- Chrome plated brass ball for longer life
- No metal-to-metal moving parts
- Blowout-proof unplated brass stem
- Two FPM O-rings at the stem for maximum safety
- Handle stops on body to avoid stresses at stem
- Geomet® carbon steel handle with thick PVC dip coating
- Handle clearly shows ball position
- ISO 228 Female by Female threads
- Silicone-free lubricant on all seals
- 30 bar (Kg/cm²) non-shock cold working pressure
- Range: -40°C +170°C temperature (Warning: freezing of the fluid in the installation may severely damage the valve)



Options:

- Dezincification Resistant brass body and components
- Short stem design
- T-handle
- Oval lockable handle
- AISI 430 stainless steel handle
- Patented locking device

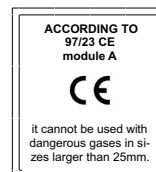
Upon request:

- AISI 316 stainless steel ball and/or stem
- Glass filled PTFE seals
- Custom design

Approved By:



NOTE: Approvals apply to specific configurations only.

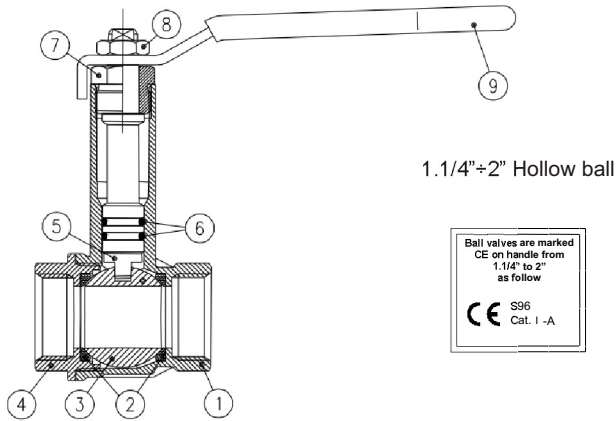


RUB RUBINETTERIE UTENSILERIE BONOMI

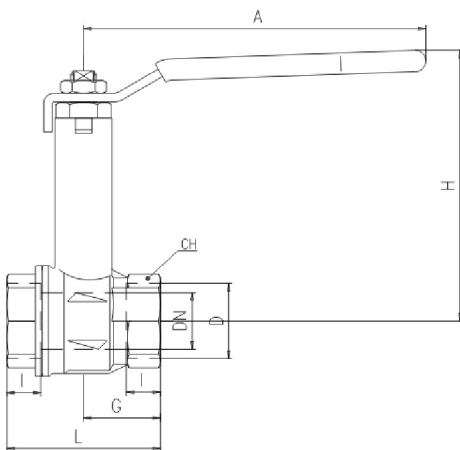
s.96 extended stem for insulation full port 1/4"-2" hot forged ball valves



Technical Specifications:



PART DESCRIPTION		Q.ty	Material
1	Nickel plated body	1	CW617N
2	Seat	2	Ptfe
3	Chrome plated ball	1	CW617N
4	Nickel plated end cap	1	CW617N
5	Unplated extended stem O-ring design	1	ADZ
6	O-ring	2	FPM
7	Unplated nut	1	CW617N
8	Geomet® nut	1	CB4FF
9	Red PVC coated geomet® steel handle	1	DD11

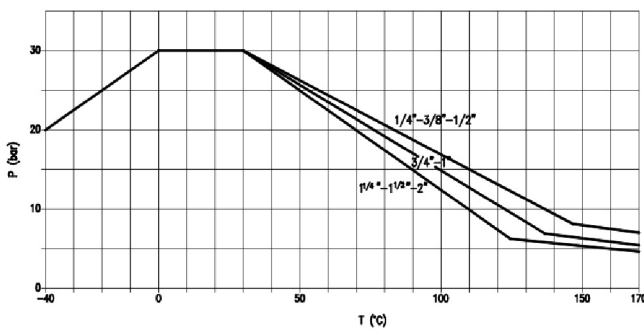


Valve code	S96B00	S96C00	S96D00	S96E00	S96F00	S96G00	S96H00	S96I00
D (inch)	1/4	3/8	1/2	3/4	1	1 1/4	1 1/2	2
DN (mm)	8	10	15	20	25	32	40	50
I (mm)	9	9	11	12	14	15	17	19
L (mm)	39	39	50	54	67	77	90	106
G (mm)	19.5	19.5	25	27	33.5	38.5	45	53
A (mm)	100	100	100	120	120	158	158	158
H (mm)	85	85	88	95.5	99.5	124	130	137
CH (mm)	20	20	25	31	38	48	54	66

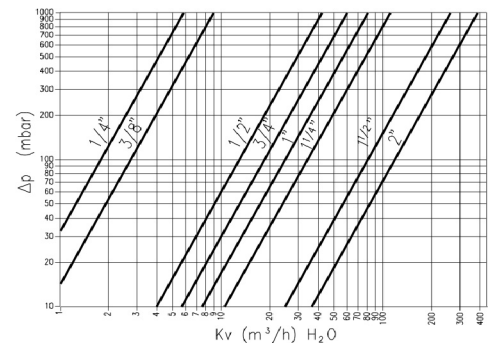
DN shows the nominal flow diameter.
Actual flow diameter complies with full port DIN 3357 part 4.

Ask for additional information on the whole range of RuB valves and consult with your supplier for special applications.

Pressure - Temperature Chart



Pressure Drop Chart



The company reserves all rights for the information contained herein. Products may be changed at any time without notice. Any undated reference to a code or standard shall be interpreted as referring to the latest edition. RuB and logo are registered trademark of RuB-Rubinetteria utensilerie Bonomi. Others logos are property of respective owners.

RUB RUBINETTERIE UTENSILERIE BONOMI

Via Padana Superiore 27/29 25080 Ciliverghe di Mazzano (Bs) Italy
Ph: +39 030 212441 - Fax: +39 030 2629498
sales@rubvalves.com - www.rubvalves.com

