

**s.91 angle pattern**  
**full port 3/4"-1.1/4"**  
**hot forged brass ball valves**



**Features and Specifications:**

- \* **Hot forged** sand blasted brass body and cap sealed with Loctite,
- \* Valve according to **DIN 3430** specification,
- \* Finest brass according to **EN 12165** and **EN 12164** (formerly DIN 17660 and UNI 5705-65) specifications,
- \* 100% seal test guarantees **zero leakage**,
- \* Pure **Teflon®** (Dupont registered trademark) self-lubricating seats with flexible-lip design,
- \* Chrome plated brass ball for **longer life**,
- \* **No metal-to-metal** moving parts,
- \* **Blowout-proof** nickel plated brass stem,
- \* Two Viton O-rings at the stem for **maximum safety**,
- \* **No maintenance** ever required,
- \* Handle stops on body to **avoid stresses** at stem,
- \* **Dacrotized** carbon steel handle with thick PVC dip coating,
- \* Handle clearly shows **ball position**,
- \* **DIN 2999, ISO 228** Male by Female threads,

- \* **Silicone-free** lubricant on all seals,
- \* 10 bar (Kg/cm<sup>2</sup>) non shock cold working **pressure**,
- \* -20°C +170°C **temperature**.

**Options:**

- \* Stem **extension**,
- \* **T-handle**,
- \* **Oval lockable handle**,
- \* **AISI 430 stainless steel handle**,
- \* Patented **locking device**.

**Upon request:**

- \* **AISI 316 stainless steel ball and/or stem**,
- \* **Glass filled PTFE** seals,
- \* Custom design.



Compliance with DIN 3430 spec only when plumbable lever is fitted on valve; standard T-handle and round-handle cannot be plumbed.

**ACCORDING TO**  
**97/23 CE**  
**module A**

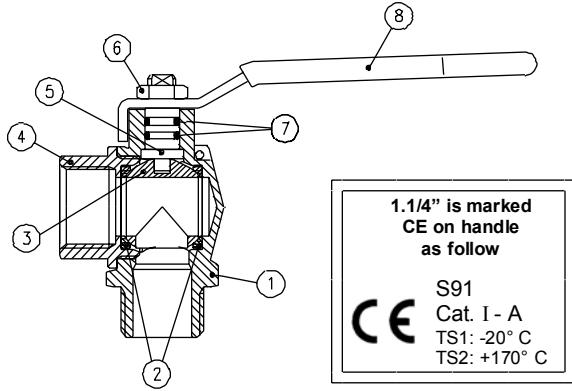




**RUBINETTERIE UTENSILIERIE BONOMI SRL**

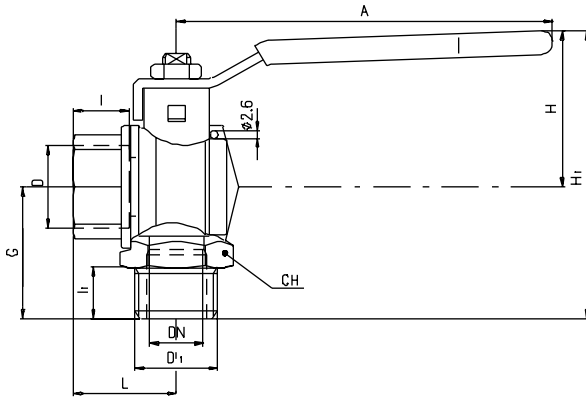
VIA PADANA SUPERIORE, 27/29 - FRAZ. CILIVERGHE, 25080 MAZZANO (BS) - ITALY

Fax+39 030 2629498  
 Phone+39 030 212441  
<http://www.rubvalves.com>  
 email: sales.director@rubvalves.com

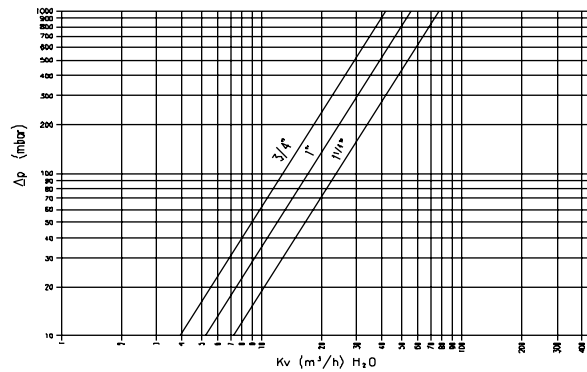
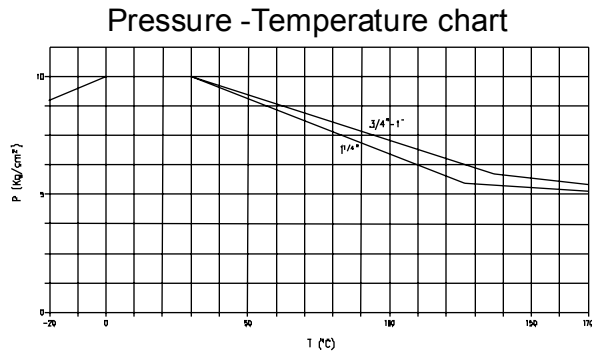


PART DESCRIPTION		Material	Q.ty
1	Unplated body	CW617N RUB001	1
2	Ball seat	Ptfe RUB008	2
3	Chrome plated ball	CW617N RUB001	1
4	Unplated end cap	CW617N RUB001	1
5	Nickel plated stem O-Ring design	CW614N RUB001	1
6	Dacrotized nut	C10 RUB003	1
7	Green O-Ring	Viton RUB009	2
8	Yellow dacrotized steel handle with hole	Fe50 RUB003	1

Code	S91E00	S91F00	S91G00
D (inch)	3/4	1	1 1/4"
D <sub>i</sub> (inch)	3/4	1	1 1/4"
DN (mm)	17.2	22	27.8
l (mm)	18	21	22.5
l <sub>i</sub> (mm)	16.3	19.1	21.4
L (mm)	33	38.5	46
G (mm)	42	51	59
A (mm)	120	120	120
H (mm)	50	52.5	59.5
H <sub>i</sub> (mm)	92	103.5	118.5
CH (mm)	32	41	50



**Pressure drop chart**



*Ask for additional information on the whole range of RuB valves and consult with your supplier for special applications.*

