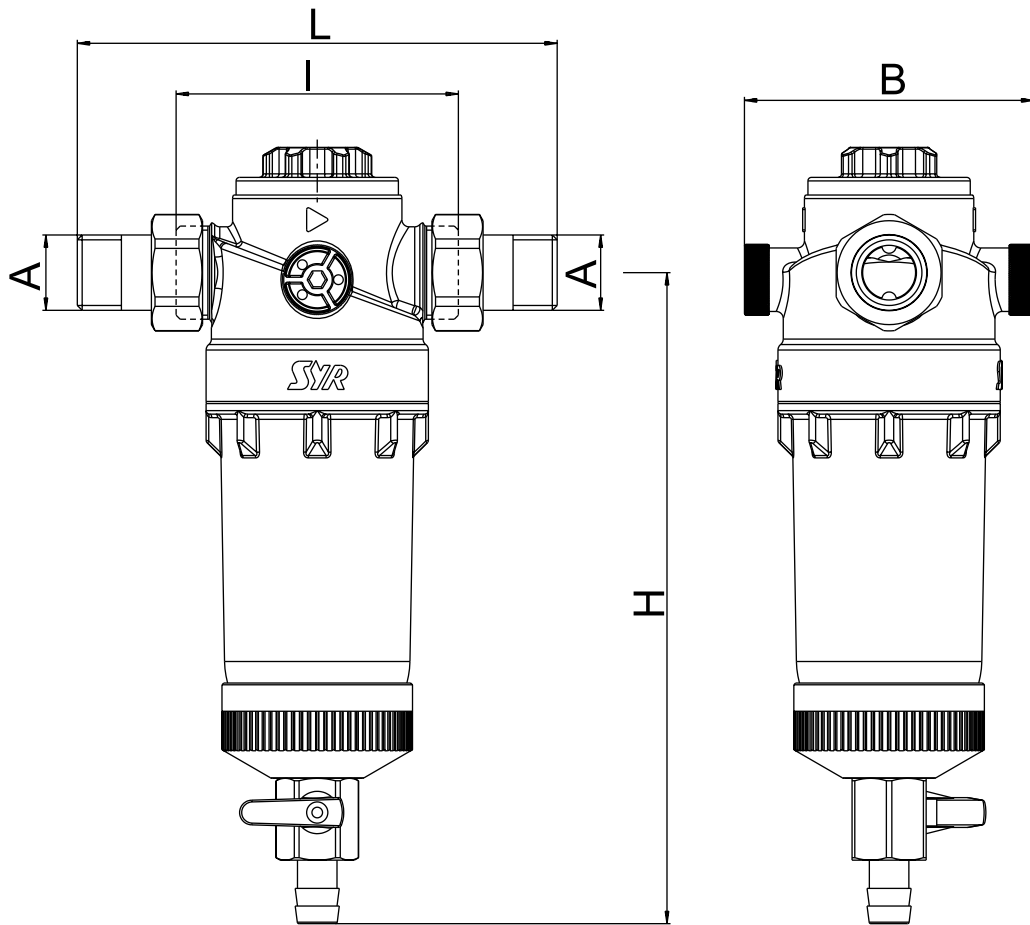


# Ratio FR HOT 5315



Nominal size		DN 15	DN 20	DN 25
	A	G 1/2"	G 3/4"	G 1"
Dimensions in mm	H (mm)	184,5	184,5	184,5
	L (mm)	136	152	170
	l (mm)	80	90	100
	B (mm)	82	82	82