

Installation instructions

Heat meter zelsius®

ZENNER®

... because every drop of water counts.

Coaxial-Measuring Capsule Heat Meter for Symmetrical Installation Qn 2,5 / 1,5 / 0,6 m³/h

	Packing list	Content	Order No.
1	Measuring capsule zelsius® incl. temperature sensors		according to model
1	Sealing set	3 x Self-locking seal 3 x Locking wire	60 W 307
1	Profile seal		60 A 141



General Information

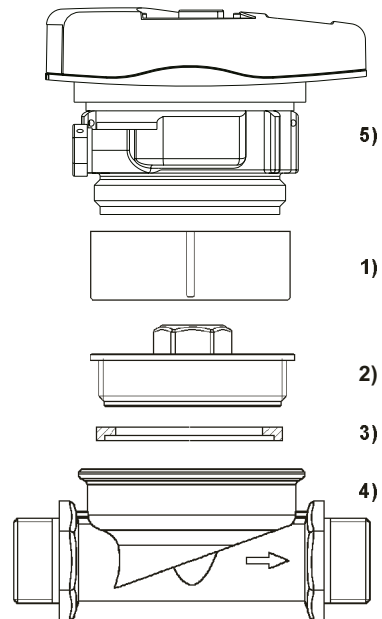
The installation of the measuring capsule basically takes place in a already mounted single pipe connection piece (EAS). Please read the respective installation instructions (Installation instructions No. 96W006 for the Zenner Installation Set WMZ Compact) carefully.

The maximum heating water temperature may not exceed 90 °C.

Before installing, compare the content of the package with the packing list.

Installing the Measuring Capsule

- Before installing flush system thoroughly, release or empty pressure and close valves in front of and behind the EAS (4).
- Use only new and flawless sealing material. Check sealing surfaces on measuring capsule and EAS for damage.
- Screw out overflow cap (2) or existing measuring capsule.
- Remove old profile seal and insert new one (3) into EAS (4) with the flat side up. Clean the sealing surface beforehand!
- Remove the protective cap (1) from the new measuring capsule (5) and then screw into the EAS (4).
- Tighten measuring capsule up to the metallic stop with a hook wrench (for example: according to DIN 1810 A, 68-75 mm).



Subject to change, errors excepted!

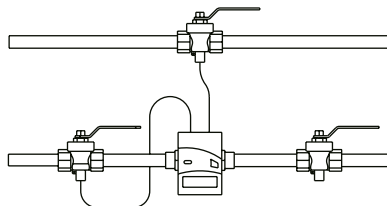
ZENNER GmbH & Co. KGaA; Römerstadt 4; 66121 Saarbrücken; Germany

Tel.: +49 (0) 681 / 99676-0; Fax: +49 (0) 681 / 64394

www.zenner.de; info@zenner.de

Installing the Temperature Sensors

- The installation of the temperature sensors takes place by way of direct installation using the adapter set No. 65 W045 resp. No. 65 W387 and installation instructions enclosed in the set.
- When using immersion sleeves, these must be type-approved for the sensors being used. Make sure that the temperature sensors rest on the bottom of the sleeves!
- Sensors are colour-coded (red=forward flow).
- After installation, secure the temperature sensors with the appropriate user safety device against unauthorized removal (contained in the sealing set).



Example for an installation with the ZENNER installation set "WMZ Compact"

Starting up

- Flush system and check for leak tightness.
- While the system is operating, check whether the volume display switches and the temperatures displayed correspond approximately with the actual temperatures, for example with the insertion thermometers (see the display overview in the enclosed operating instructions).
- Wait for the update of the temperature displays (1-2 sec).
- Secure measuring capsule and single pipe connection piece (EAS) against unauthorized removal.

Please save the enclosed operating instructions and after installation and system start- up present these to the customer.

Subject to change, errors excepted!